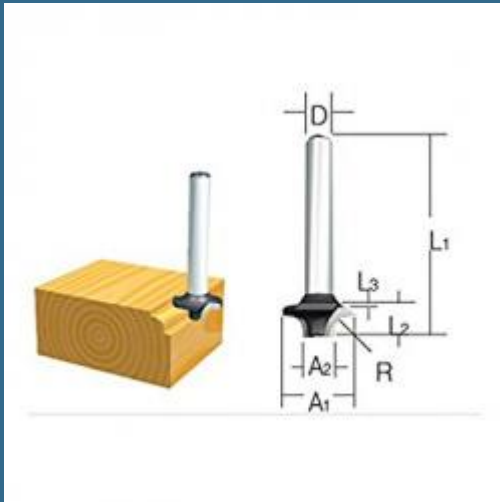


MAKITA FREZA MUCHII ROTUNJITE R8/6MM



Cod produs:

D-09363

preturile contin TVA 19%

Caracteristici

Detalii produs:

Tip: ROUNDOVER
Diametru prindere (mm): 6
Diametru total (mm): 25
Lungime (mm): 45
Inaltime carbura (mm): 13
Raza 1 (mm): 8
Taisuri: 2
Rotaie maxima (RPM): 24000

Despre produs