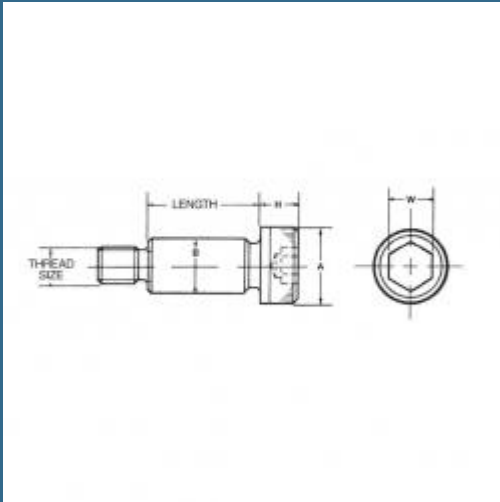


CROMWELL Qualfast. M16x20x40 SKT SHOULDER SCREW H8 (GR-12.9)



Cod produs:

QFT6101640H

preturile contin TVA 19%

Caracteristici

Dimensiuni ambalaj:

Lungime mm: 0

Latime mm: 0

Inaltime mm: 0

Greutate g: 1

Despre produs

High Grade Alloy Steel. Suitable for replacing costly components such as shafts, pivots, guides, pins, linkages and trunion mountings. Also commonly used in the die mould industry. Maximum operating temperature (Un-plated): 300°C. Body Diameter Tolerance h8