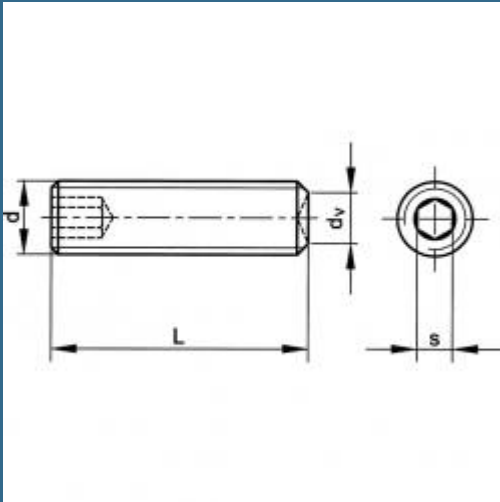


CROMWELL Qualfast. M8x30 SKT SET SCREW - PLAIN CUP (GR-45H) (14.9)



Cod produs:

QFT6023321H

preturile contin TVA 19%

Caracteristici

Dimensiuni ambalaj:

Lungime mm: 3

Latime mm: 1

Inaltime mm: 1

Greutate g: 8

Despre produs

Plain Cup High tensile alloy steel. Grade 14.9. For use against hardened shafts. Ideal for use in ductile castings such as zinc, aluminium etc. where high tightening torques are not practical.